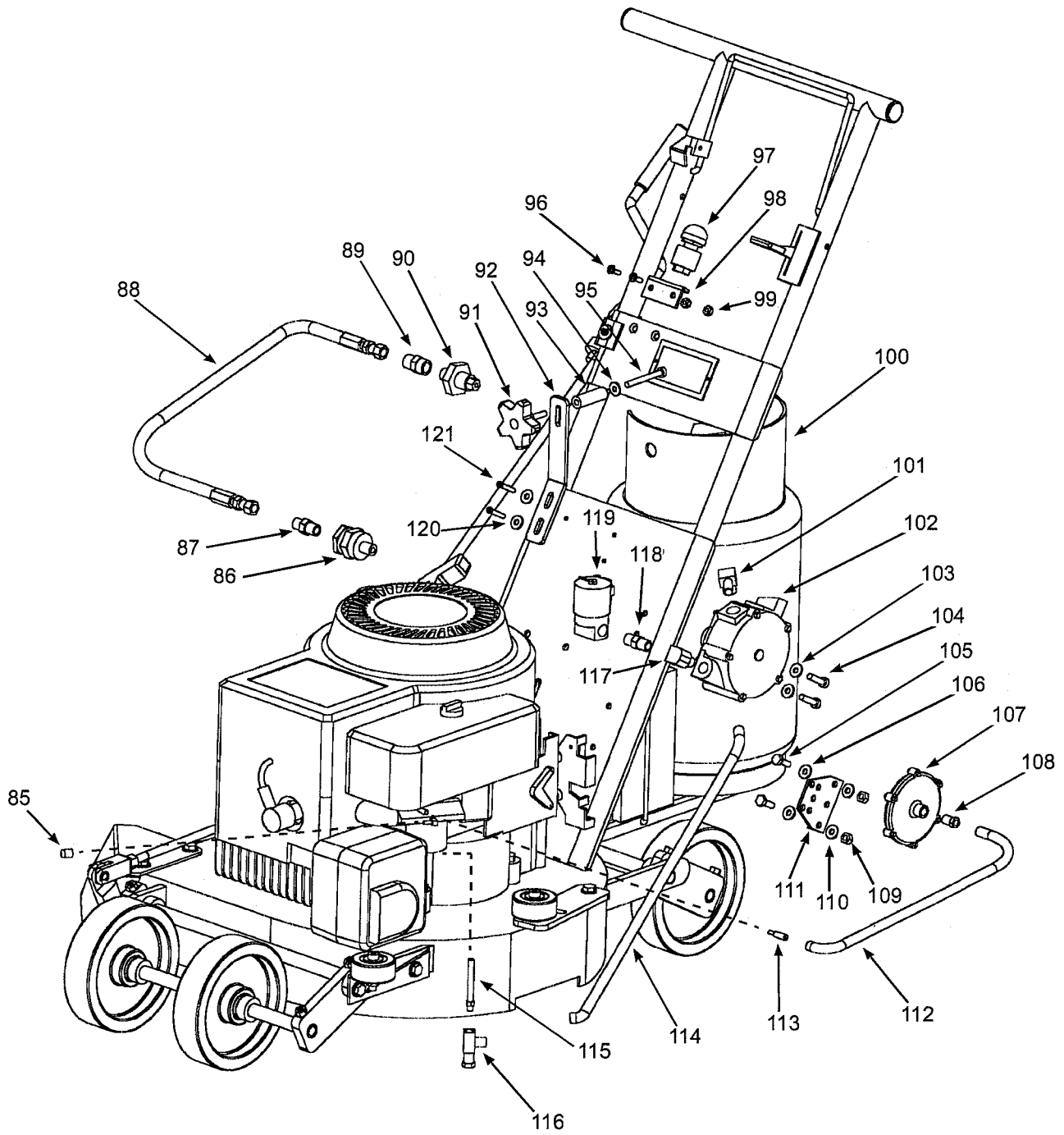


Thomsen Ice Edger LP Assembly



Use only genuine **Thomsen** replacement parts

Item No.	Part No.	Description	No. Req'd
85	18-505	Gas Line Cap	1
86	18-152	LP Gas Filter.....	1
87	18-510	Hose Adaptor	1
88	18-150	Hose Inlet.....	1
89	18-515	Hose Adaptor	1
90	18-155	Quick Connect Fitting.....	1
91	18-147	Quick Release Knob	1
92	18-149	Tank Bracket (Top)	1
93	18-149-01	Tank Spacer.....	1
94	25-25CW	Washer.....	1
95	25-2008BH	Button Hd. Screw.....	1
96	10-3202FH	Flat Hd. Screw	2
97	18-174	Push Button Starter Switch	1
98	18-177	Push Button Mount Plate	1
99	10-32ESNA	Nut	2
100	18-146	LP Tank (2.5 Gal.)	1
101	18-153	90 Degree Outlet Fitting	1
102	18-156	Regulator.....	1
103	25-25IL	Lock Washer	2
104	25-2008BH	Button Hd. Screw.....	2
105	25-2008HX	Hex Screw.....	2
106	25-25CW	Washer.....	2
107	18-179A	Vacuum Swtich	1
108	18-520	Vacuum Hose Fitting	1
109	25-20ESNA	Nut	2
110	25-25CW	Washer.....	2
111	18-179C	Vacuum Switch Mount Bracket	1
112	18-160	Vacuum Hose	1
113	18-525	Vacuum Hose/ Idle Fitting	1
114	18-151	Hose Outlet	1
115	18-530	LP Spud.....	1
116	18-535	LP Power Adjust Screw	1
117	18-540	90 Degree Inlet Fitting.....	1
118	18-545	Lockoff/ Regulator Adaptor.....	1
119	18-179B	Fuel Lockoff Solenoid	1
120	25-25CW	Washer.....	2
121	10-2408BH	Button Hd. Screw.....	2

Use only genuine **Thomsen** replacement parts