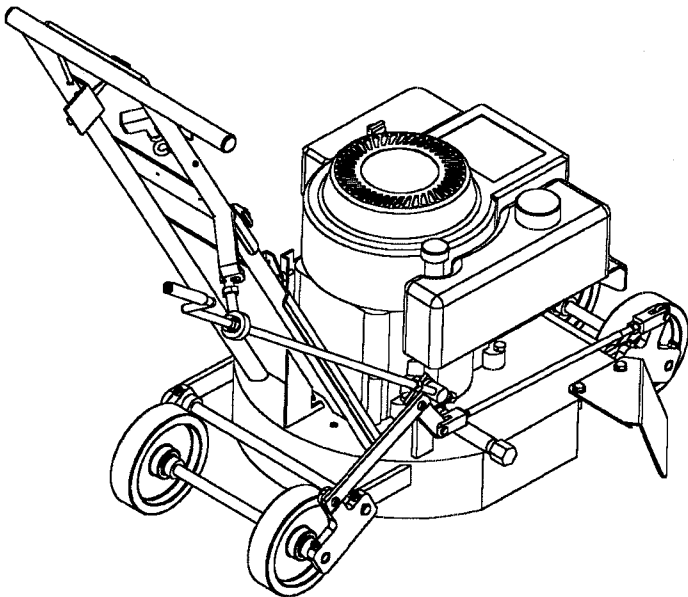
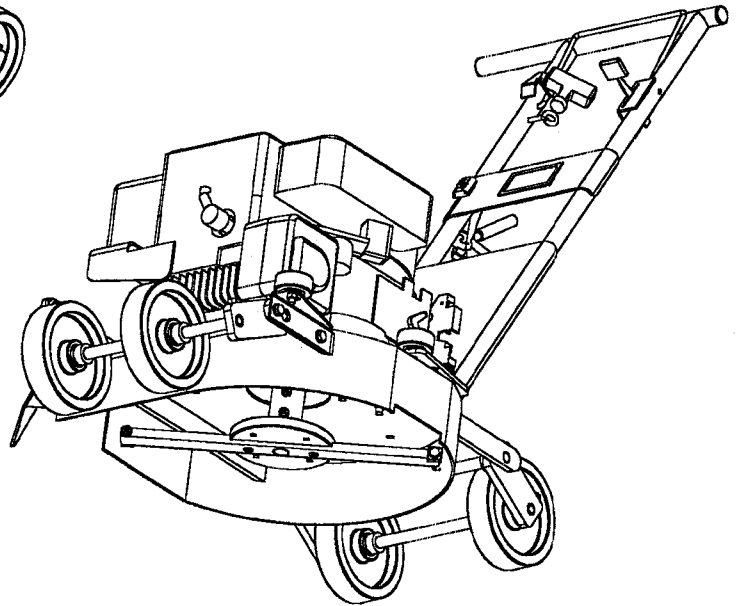
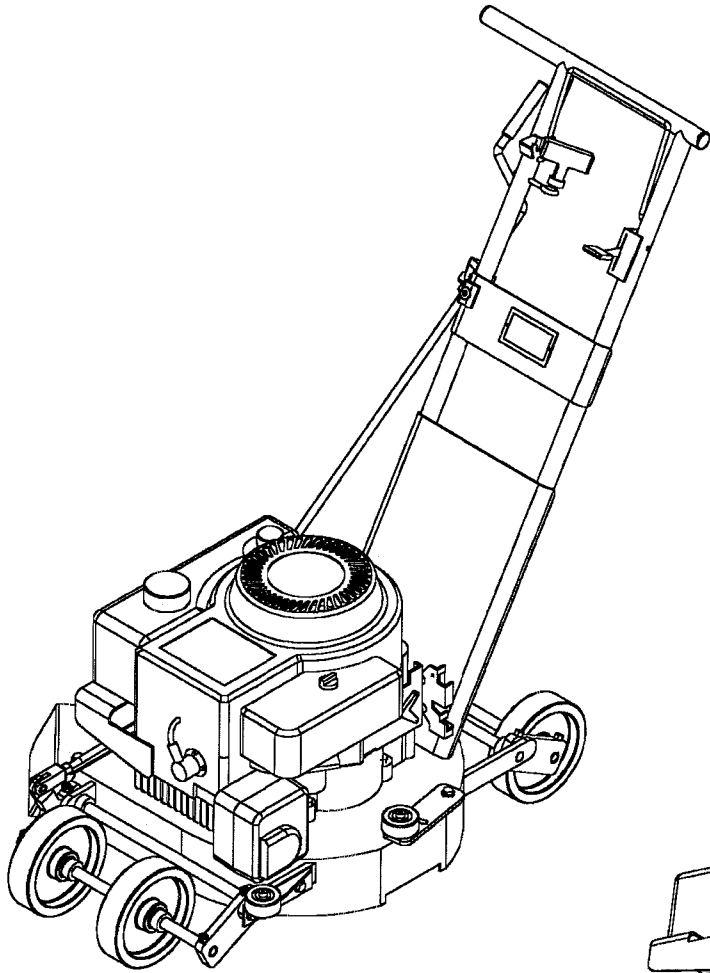
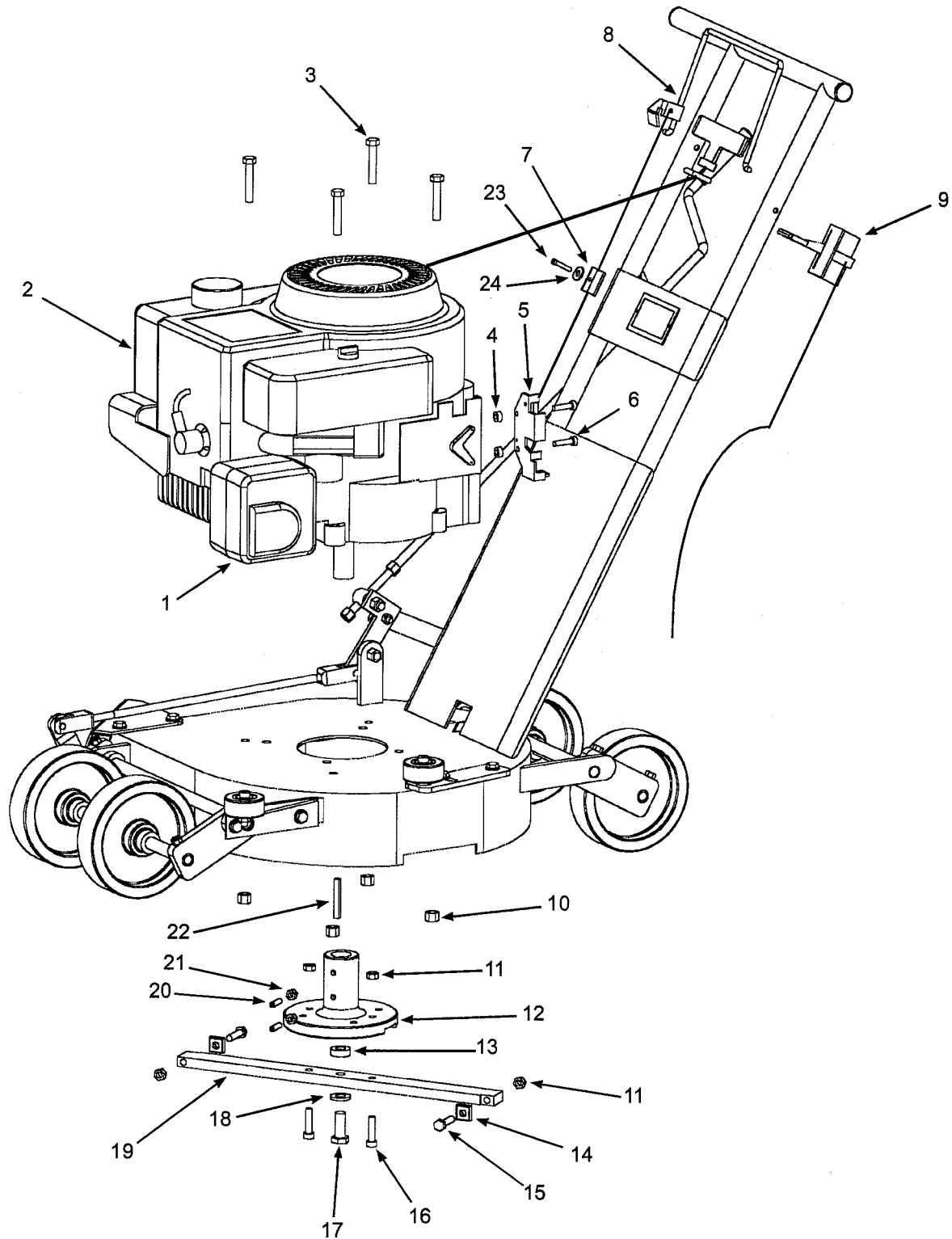


# Thomsen Ice Edger Assembly Illustrations



Item No.	Part No.	Description	No. Req'd
1	18-139	Exhaust Deflector .....	1
2	18-133	10.5 HP Briggs & Stratton Engine.....	1
3	31-1824	HX Hex Screw .....	4
4	18-135	Engine Spacer .....	2
5	18-137	Engine Shut-down Mechanism .....	1
6	8-2412RH	Screw .....	2
7	18-122	Ignition Shut-down Cable.....	1
8	18-120	Ignition Shut-down Lever.....	1
9	18-124	Throttle.....	1
10	31-18ESNA	Nut .....	4
11	31-24ESNA	ESNA Nut.....	4
12	18-115	Hub.....	1
13	90-192	Hub/ Bar Spacer.....	1
14	18-118	Carbide Cutter (Square) .....	2
15	31-2428HX	Hex Screw.....	2
16	31-2416SC	Socket Cap Screw .....	2
17	43-2020HX	Hub Mt Screw .....	1
18	43-43IL	Lock Washer .....	1
19	18-117	Cutter Bar.....	1
20	25-2808SS	Set Screw .....	2
21	25-28JN	Hex Nut.....	2
22	18-116A	Key.....	1
23	25-2012BH	Socket Cap Screw .....	1
24	25-25CW	Washer.....	1

# Thomsen Ice Edger Motor and Cutter Bar Assemblies

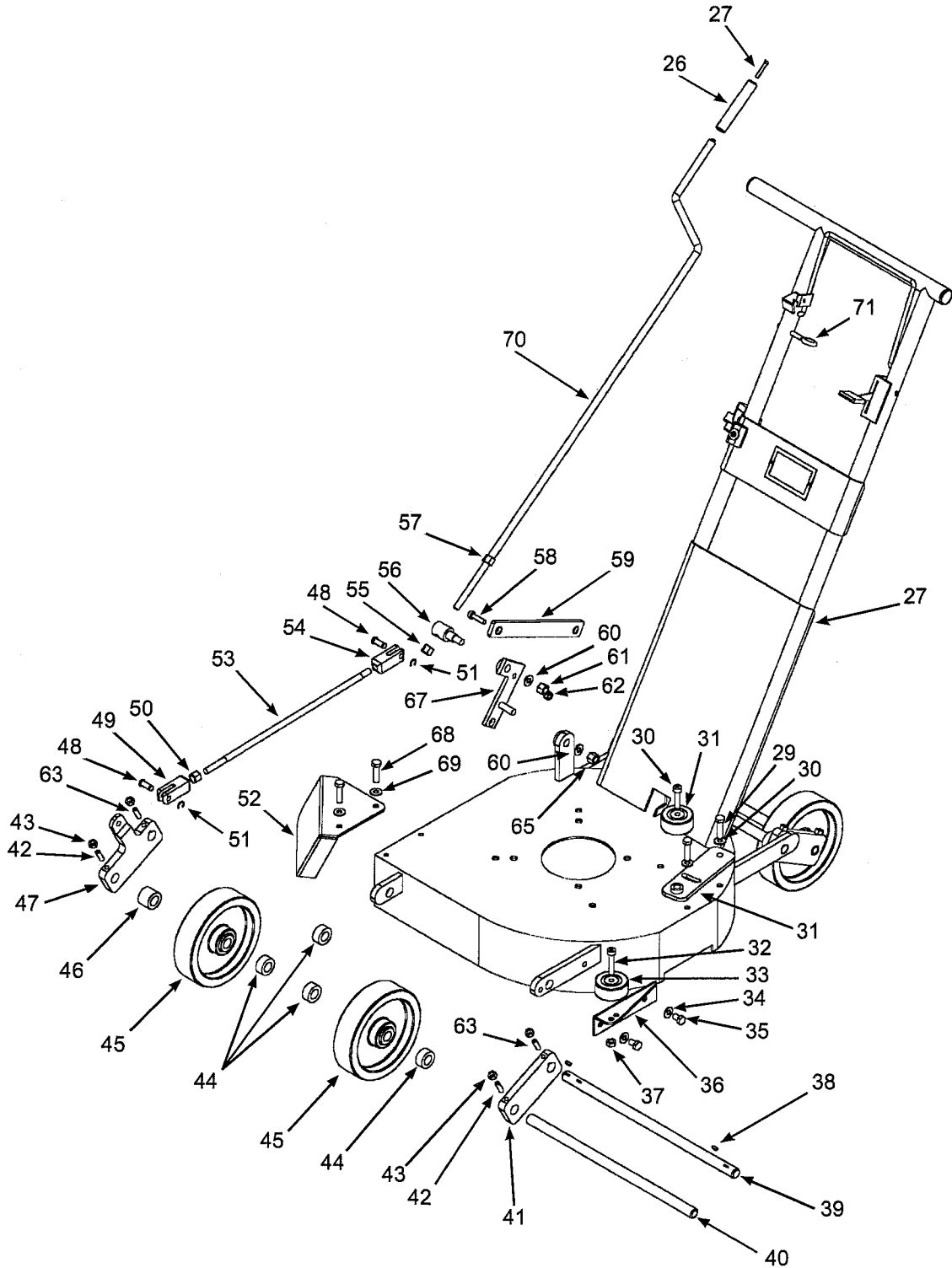


Use only genuine **Thomsen** replacement parts

Item No.	Part No.	Description	No. Req'd
26	18-125A	Adjusting Crank Knob 7/16" .....	1
	18-125	Adjusting Crank Knob 3/8" (OBS)	
27	8-3208BH	Button Hd Screw .....	1
28	18-101	Base .....	1
29	31-1812HX	Hex Screw .....	2
30	31-31CW	Washer .....	4
31	18-142	Adjustable Guide Wheel Carrier .....	1
32	37-3116SB	Shoulder Bolt .....	2
33	18-144	Guide Wheel .....	2
34	31-31IL	Lock Washer .....	2
35	31-1808HX	Hex Screw .....	2
36	18-143	Fixed Guide Wheel Carrier .....	1
37	31-18ESNA	Nut .....	1
38	7-384	Woodruff Key .....	2
39	18-102	Pivot Shaft (Front & Rear) .....	1
40	18-106	Wheel Shaft (Front & Rear) .....	1
41	18-104	Left Shaft Bracket .....	1
42	25-2014SS	Set Screw .....	2
43	25-20JN	Jam Nut .....	4
44	18-180	Set Collar .....	4
45	18-113	Wheel .....	2
46	18-119	Wheel Spacer .....	1
47	18-105	Right Shaft Bracket .....	1
48	18-107-02	Clevis Pin Special .....	2
49	18-107	Turnbuckle (Front) .....	1
	18-107A	Turnbuckle (OBS)	
50	37-16JN	Jam Nut .....	1
51	5133-31	Keeper .....	2
52	18-129	Snow Deflector .....	1
53	18-108	Turnbuckle Shaft .....	1
54	18-109	Turnbuckle (Rear) .....	1
55	43-14ESNA	Nut .....	1
56	18-112A	Pivot Stud .....	1
57	43-14JN	Jam Nut .....	1
58	31-2508SB	Shoulder Bolt .....	1
59	18-111	Link-Adjusting .....	1
60	37-37CW	Washer .....	1
61	37-16ESNA	Nut .....	1
62	25-20ESNA	Nut .....	1
63	25-2012SS	Set Screw .....	2
65	37-16ESNA	Nut .....	1
67	18-110	Linkage Lever .....	1
68	25-2012HX	MT Screw .....	2
69	25-25IL	Lock Washer .....	2
70	18-126A	Adjusting Crank 7/16" .....	1
71	18-103	Eye Bolt (Pull Cord) .....	1

Use only genuine **Thomsen** replacement parts

# Thomsen Ice Edger Front Axles and Crank Assemblies

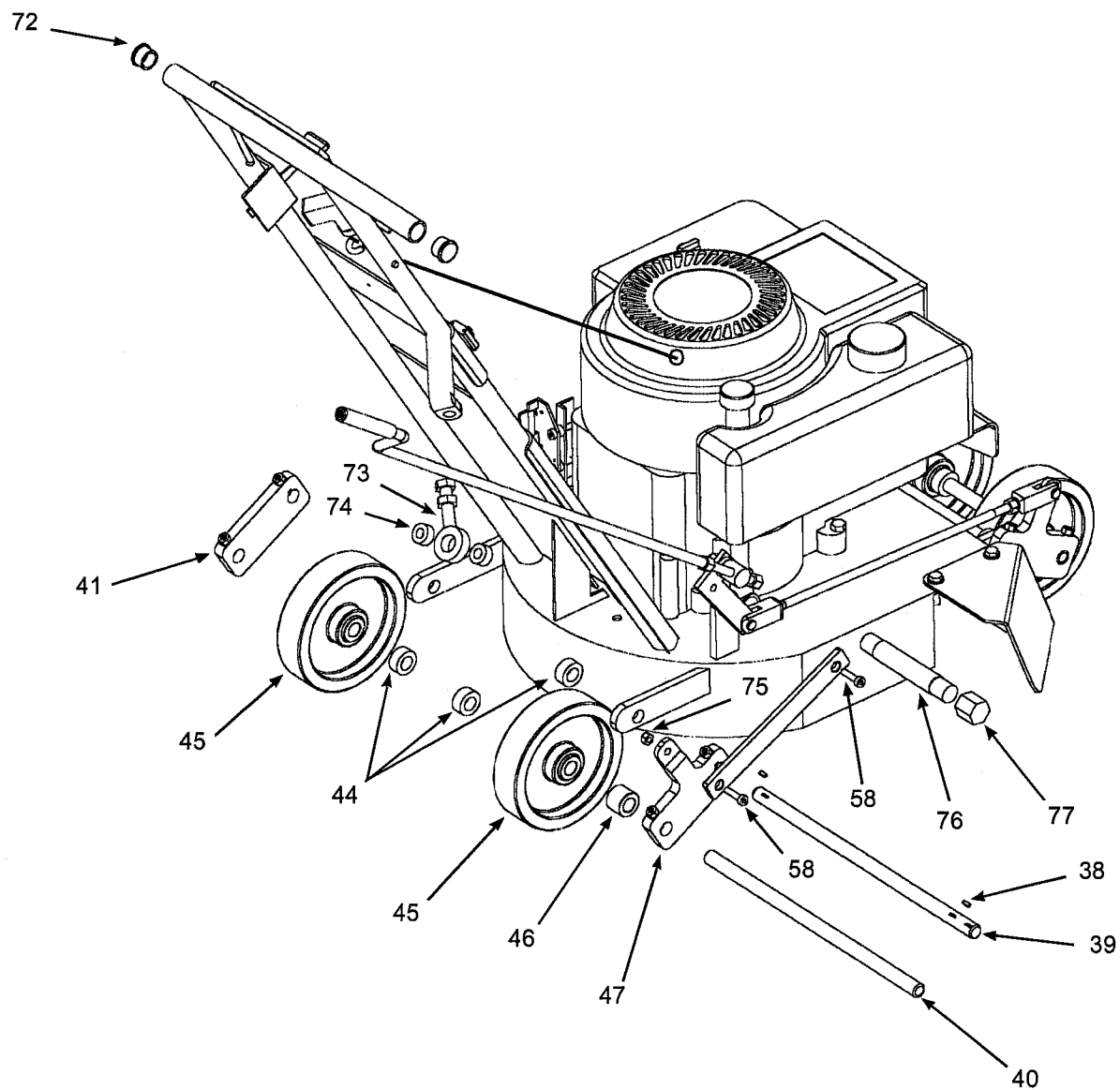


Use only genuine **Thomsen** replacement parts

Item No.	Part No.	Description	No. Req'd
38	7-384	Woodruff Key .....	2
39	18-102	Front and Rear Pivot Shaft.....	1
40	18-106	Wheel Shaft (Front & Rear).....	1
41	18-104	Left Shaft Bracket.....	1
44	18-180	Set Collar .....	3
45	18-113	Wheel .....	2
46	18-119	Wheel Spacer .....	1
47	18-105	Right Shaft Bracket.....	1
58	31-2508SB	Shoulder Bolt .....	2
72	18-130A	Handle End Plug .....	2
73	18-165A	Rod End Bearing Assembly.....	1
74	18-127A	Set Collar .....	2
75	25-20ESNA	Nut .....	1
76	18-131	Oil Drain Tube .....	1
77	18-132	Oil Drain Cap.....	1

Use only genuine **Thomsen** replacement parts

# Thomsen Ice Edger Rear Axles Assembly



Use only genuine **Thomsen** replacement parts