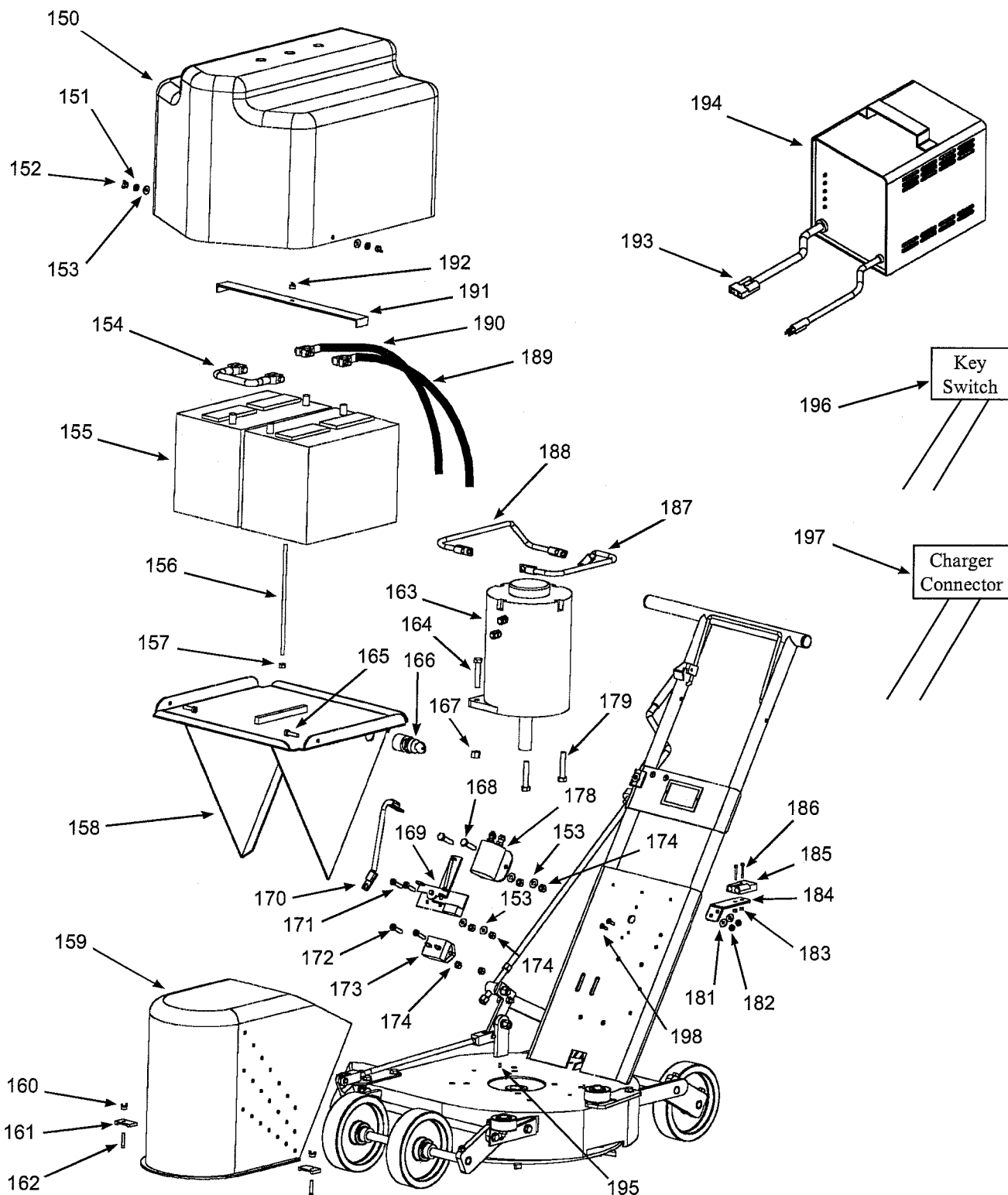


Thomsen Ice Edger Elec. Assembly

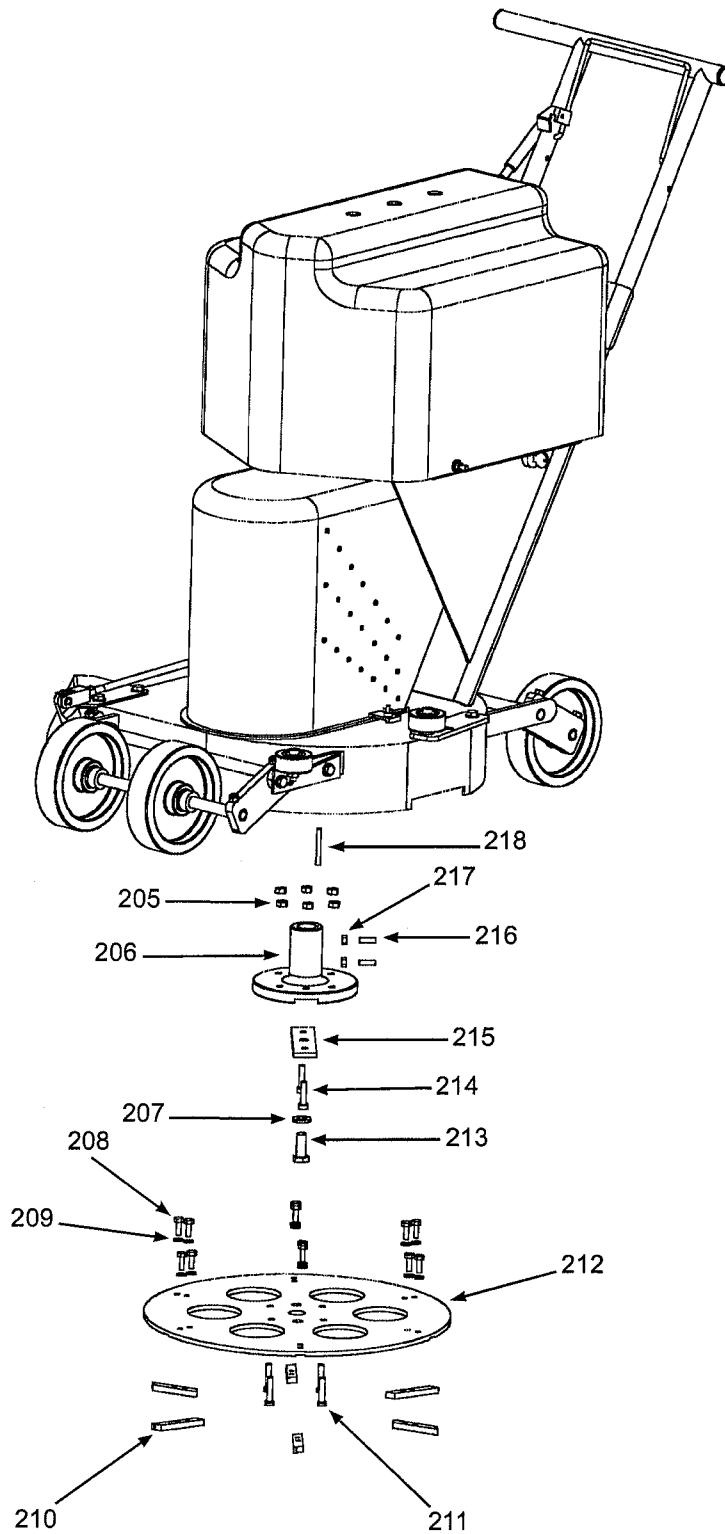


Use only genuine **Thomsen** replacement parts

| Item No. | Part No. | Description | No. Req'd |
|----------|------------|-----------------------------------|-----------|
| 150 | 29-115 | Fiberglass Battery Cover..... | 1 |
| 151 | 25-25IL | Lock Washer | 2 |
| 152 | 25-20WN | Wing Nut..... | 2 |
| 153 | 25-25CW | Flat Washer | 6 |
| 154 | 29-106-01 | Battery Jumper Wire | 1 |
| 155 | 29-130 | 12V Battery..... | 2 |
| 156 | 29-112 | Battery Tiedown Rod..... | 1 |
| 157 | 25-20FN | Flange Nut..... | 1 |
| 158 | 29-101 | Battery Tray | 1 |
| 159 | 29-114 | Fiberglass Motor Cover | 1 |
| 160 | 10-24WN | Wing Nut..... | 1 |
| 161 | 29-117 | Motor Cover Clamp..... | 2 |
| 162 | 10-2414SH | Cap Screw | 2 |
| 163 | 29-100 | Elec. Motor | 1 |
| 164 | 37-1624HX | Hex Screw..... | 2 |
| 165 | 25-2087BH | Button Hd. Screw..... | 2 |
| 166 | 25-105 | Key Switch..... | 1 |
| 167 | 37-16ESNA | Nut | 2 |
| 168 | 25-2012HX | Hex Screw..... | 2 |
| 169 | 18-166 | Ignition Shutdown Mechanism | 1 |
| 170 | 29-106-03 | Jumper Wire..... | 1 |
| 171 | 25-2087BH | Button Hd. Screw..... | 2 |
| 172 | 25-2012HX | Hex Screw..... | 2 |
| 173 | 29-118 | Breaker..... | 1 |
| 174 | 25-20ESNA | Nut | 6 |
| 178 | 29-103 | Solenoid | 1 |
| 179 | 31-2412HX | Hex Screw..... | 2 |
| 181 | 10-10CW | Flat Washer | 2 |
| 182 | 10-24ESNA | Nut | 2 |
| 183 | 06-32ESNA | Nut | 2 |
| 184 | 29-113 | Connector Bracket -Rec..... | 1 |
| 185 | 29-111 | Charger Quick Connector | 1 |
| 186 | 06-3214SH | Cap Screw | 2 |
| 187 | 29-106-04 | Jumper Wire..... | 1 |
| 188 | 29-106-02 | 8" Jumper Wire | 1 |
| | 29-106-02A | 4" Jumper Wire | 1 |
| 189 | 29-106-05 | Battery Cable | 1 |
| 190 | 29-106-06 | Battery Cable | 1 |
| 191 | 29-102 | Battery Strap | 1 |
| 192 | 25-20WN | Wing Nut..... | 1 |
| 193 | 29-111 | Charger Quick Connector | 1 |
| 194 | 29-110 | Charger..... | 1 |
| 195 | 12-50RP | Roll Pin | 2 |
| 196 | 29-108 | Micro Wires | 2 |
| 197 | 29-109 | Charger Wires | 2 |
| 198 | 10-2414SH | Cap Screw | 2 |

Use only genuine **Thomsen** replacement parts

Thomsen Ice Edger Elec. Cutter Disc Assembly



Use only genuine **Thomsen** replacement parts

| Item No. | Part No. | Description | No. Req'd |
|----------|-----------|----------------------------|-----------|
| 205 | 31-24ESNA | Nut | 6 |
| 206 | 18-115 | Hub..... | 1 |
| 207 | 43-43IL | Lock Washer | 1 |
| 208 | 25-2808HT | Hex Screw | 12 |
| 209 | 25-25IL | Lock Washer | 12 |
| 210 | 90-151 | Cutter Blade | 6 |
| 211 | 31-2420SF | SH Screw | 4 |
| 212 | 29-119 | Cutter Disc | 1 |
| 213 | 43-2020HX | Hex Screw..... | 1 |
| 214 | 31-2416SC | Socket Hd. Cap Screw | 2 |
| 215 | 19-121 | Hub Spacer..... | 2 |
| 216 | 25-2808SS | Set Screw | 2 |
| 217 | 25-28JN | Nut | 2 |
| 218 | 18-116 | Key..... | 1 |

Use only genuine **Thomsen** replacement parts