

Thomsen

**THOMSEN ICE EDGER
ILLUSTRATED PARTS MANUAL**

Ice Edgers

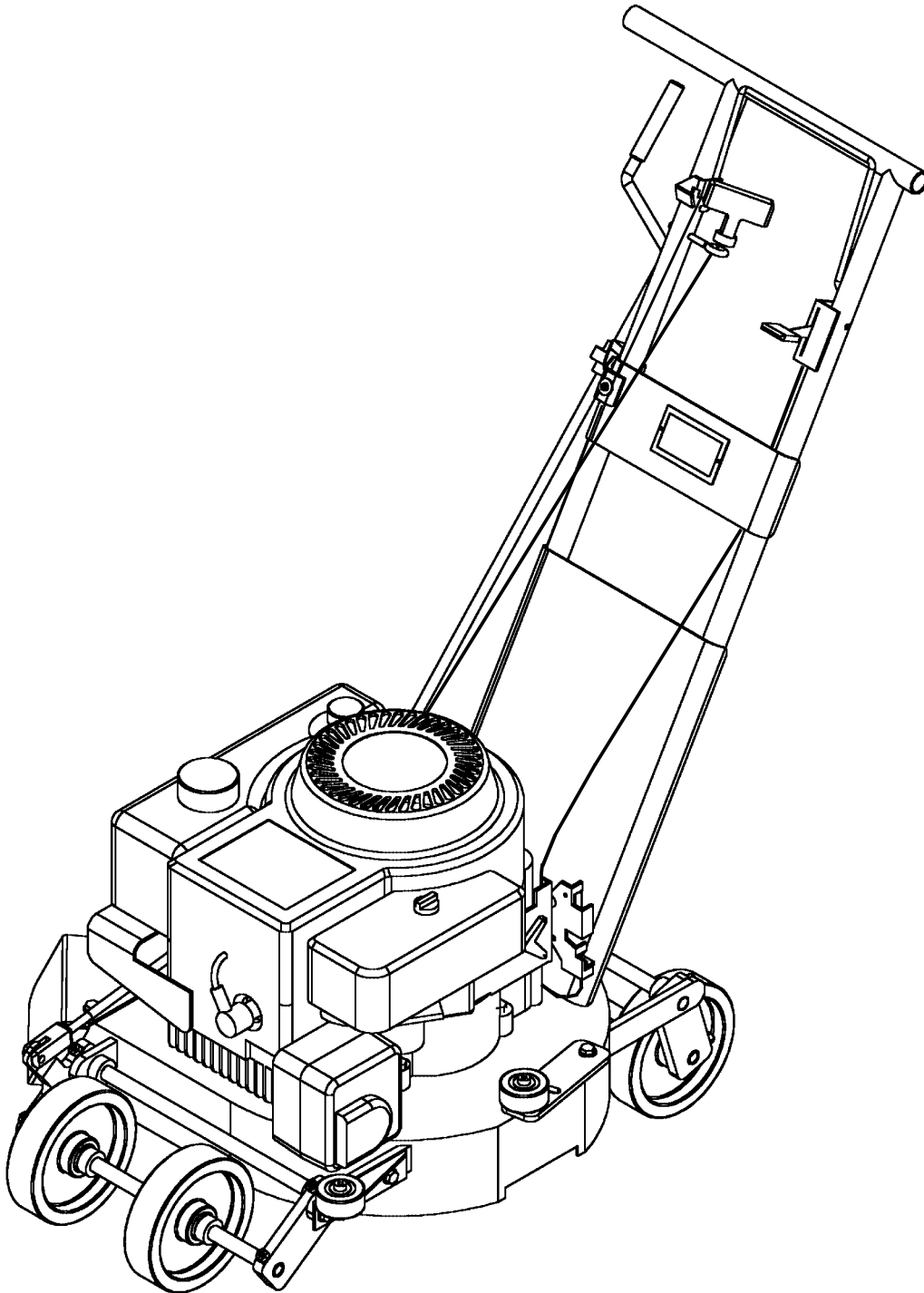
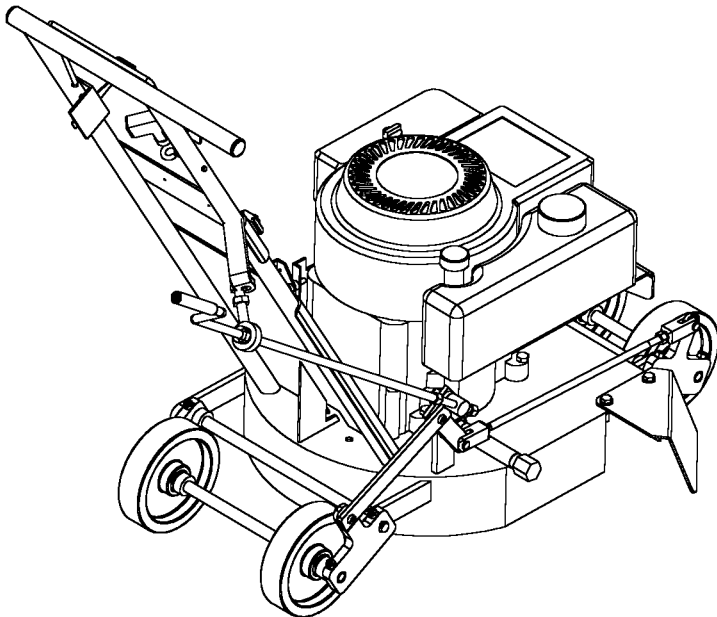
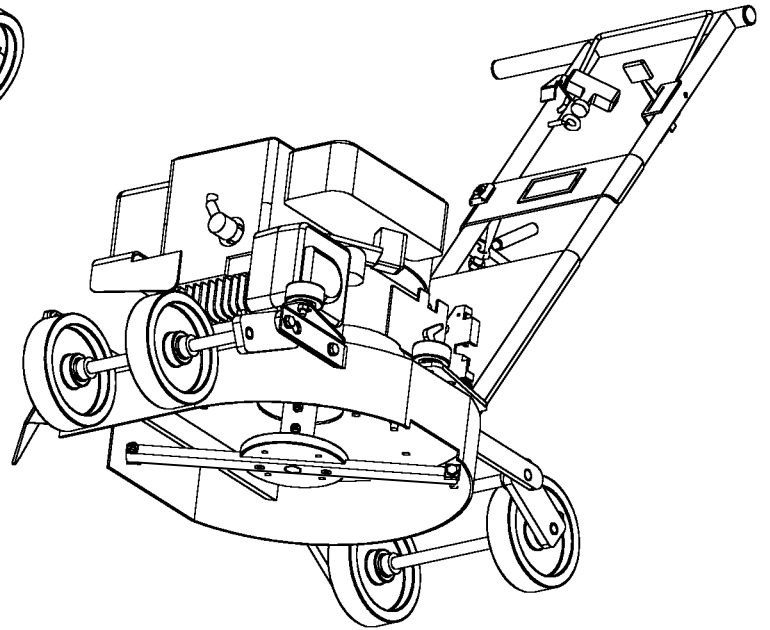
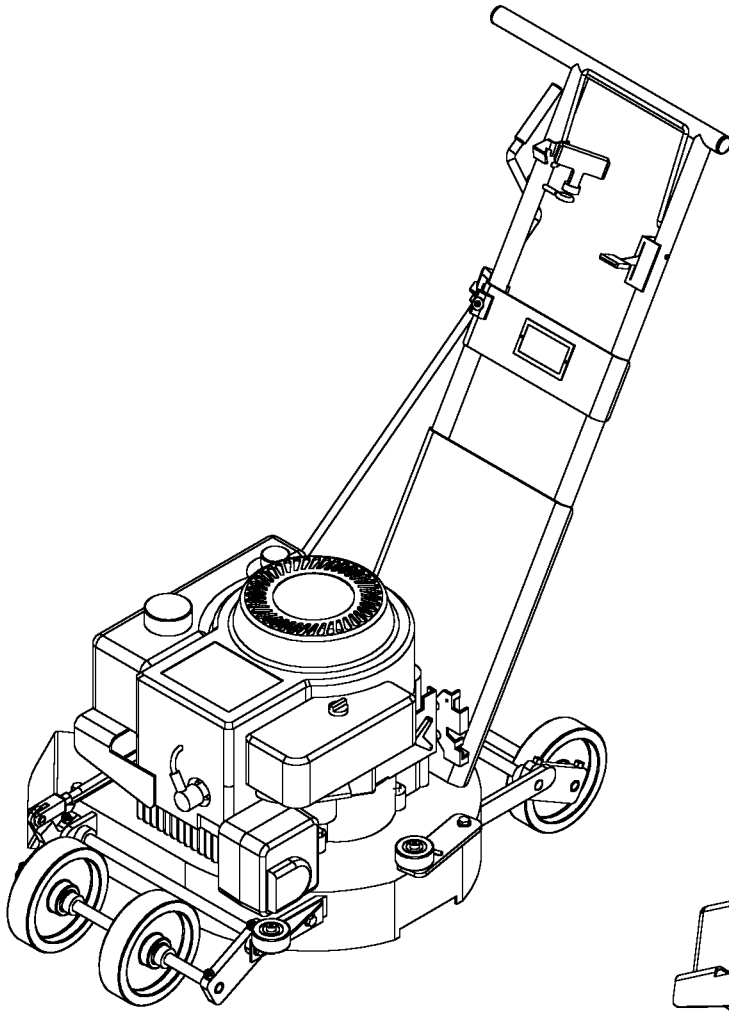


Table of Contents

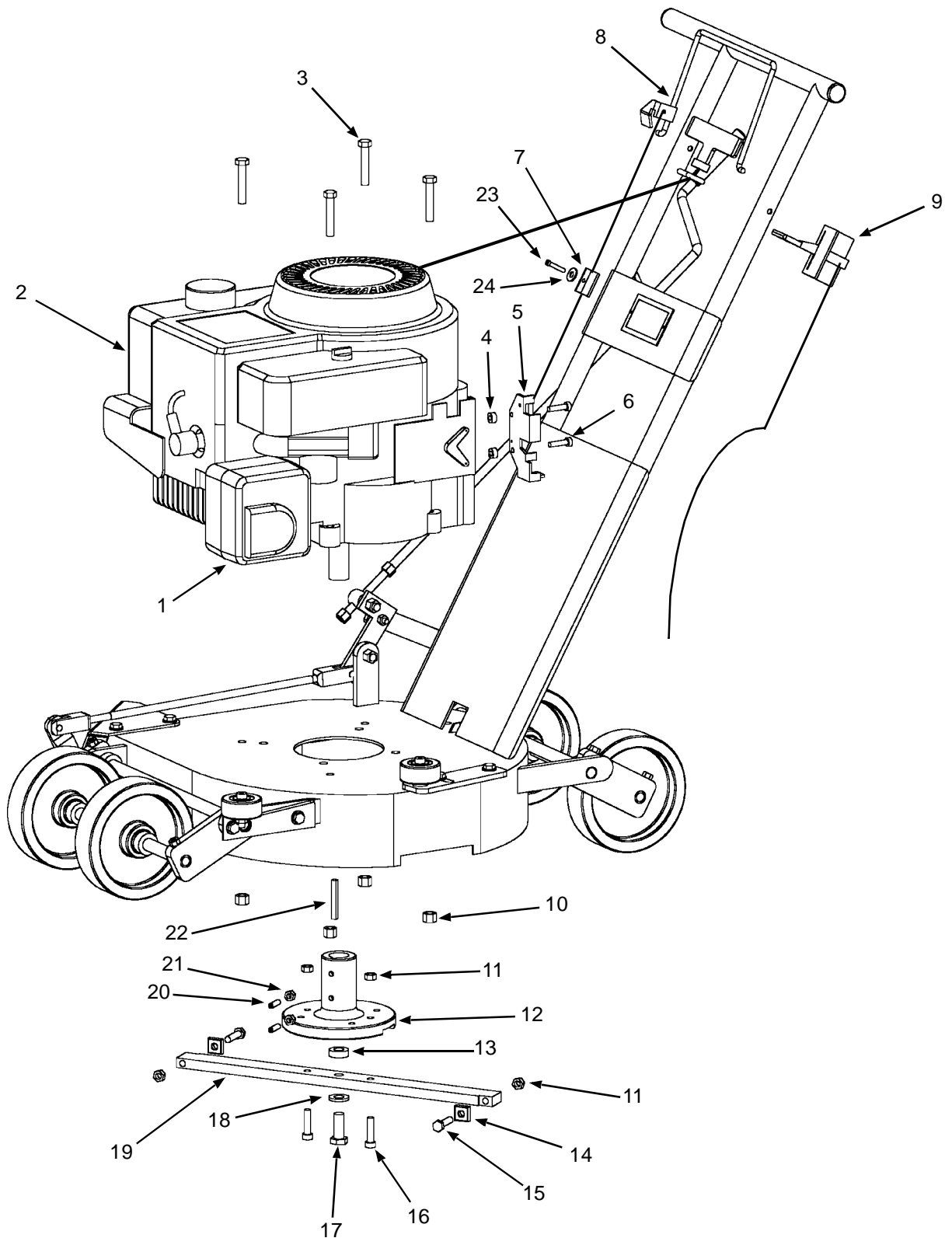
Ice Edger Assembly Illustrations.....	2
Motor and Cutter Bar Assemblies	3
Front Axles and Crank Assemblies	5
Rear Axles Assembly	7
Propane Ice Edger Assembly	9
Electric Start Assembly	11
Electric Ice Edger Assembly	13
Cutter Disc Assembly.....	15

Thomsen Ice Edger Assembly Illustrations



Item No.	Part No.	Description	No. Req'd
1	18-139	Exhaust Deflector	1
2	18-133	10.5 HP Briggs & Stratton Engine.....	1
3	31-1824	HX Hex Screw	4
4	18-135	Engine Spacer	2
5	18-137	Engine Shut-down Mechanism	1
6	8-2412RH	Screw	2
7	18-122	Ignition Shut-down Cable.....	1
8	18-120	Ignition Shut-down Lever	1
9	18-124	Throttle.....	1
10	31-18ESNA	Nut	4
11	31-24ESNA	ESNA Nut	4
12	18-115	Hub.....	1
13	90-192	Hub/ Bar Spacer	1
14	18-118	Carbide Cutter (Square)	2
15	31-2428HX	Hex Screw	2
16	31-2416SC	Socket Cap Screw	2
17	43-2020HX	Hub Mt Screw	1
18	43-43IL	Lock Washer	1
19	18-117	Cutter Bar.....	1
20	25-2808SS	Set Screw	2
21	25-28JN	Hex Nut.....	2
22	18-116A	Key	1
23	25-2012BH	Socket Cap Screw	1
24	25-25CW	Washer.....	1

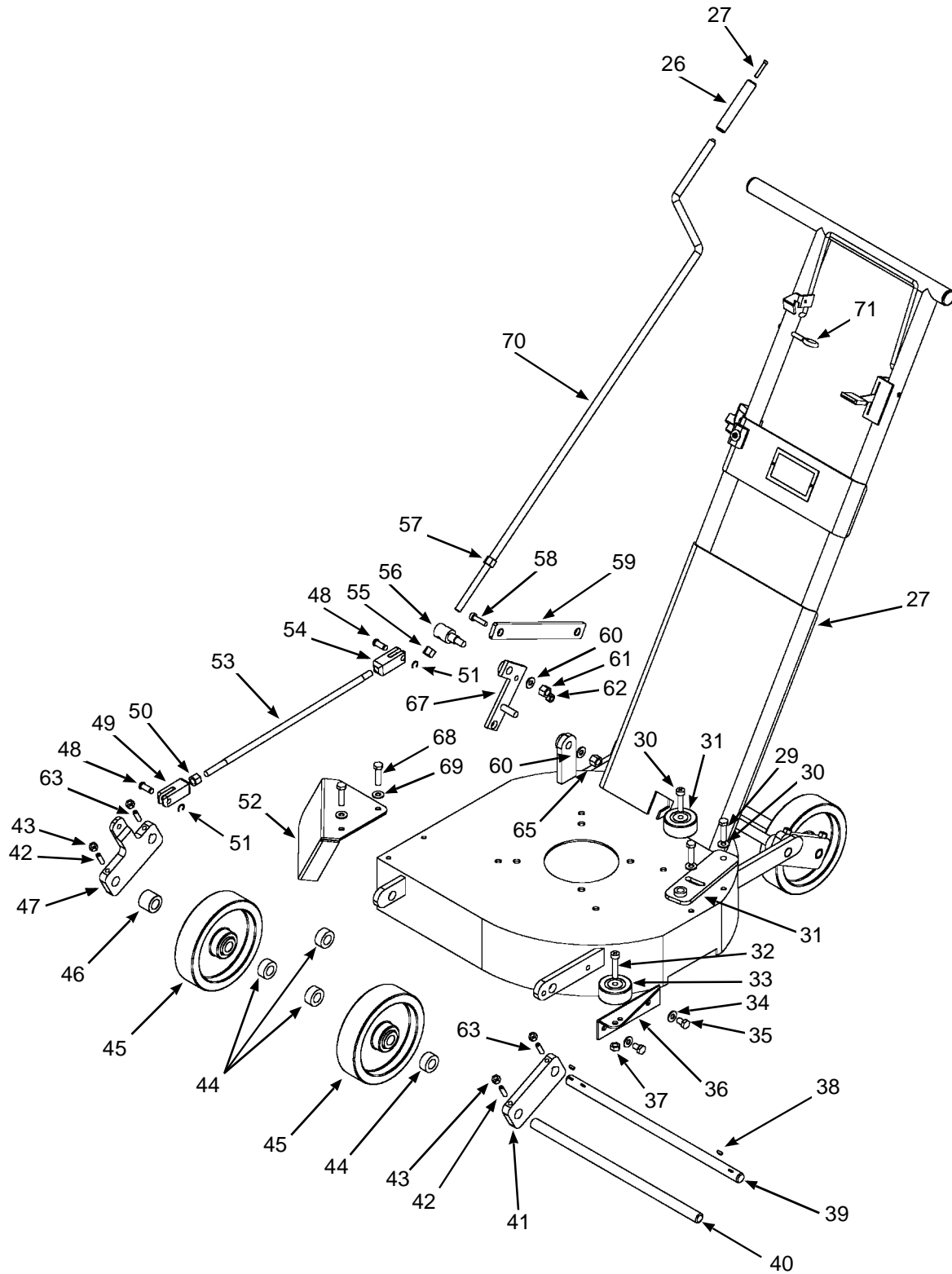
Thomsen Ice Edger Motor and Cutter Bar Assemblies



Use only genuine **Thomsen** replacement parts

Item No.	Part No.	Description	No. Req'd
26	18-125A	Adjusting Crank Knob 7/16"	1
	18-125	Adjusting Crank Knob 3/8" (OBS)	
27	8-3208BH	Button Hd Screw	1
28	18-101	Base	1
29	31-1812HX	Hex Screw	2
30	31-31CW	Washer	4
31	18-142	Adjustable Guide Wheel Carrier	1
32	37-3116SB	Shoulder Bolt	2
33	18-144	Guide Wheel	2
34	31-31IL	Lock Washer	2
35	31-1808HX	Hex Screw	2
36	18-143	Fixed Guide Wheel Carrier	1
37	31-18ESNA	Nut	1
38	7-384	Woodruff Key	2
39	18-102	Pivot Shaft (Front & Rear)	1
40	18-106	Wheel Shaft (Front & Rear)	1
41	18-104	Left Shaft Bracket	1
42	25-2014SS	Set Screw	2
43	25-20JN	Jam Nut	4
44	18-180	Set Collar	4
45	18-113	Wheel	2
46	18-119	Wheel Spacer	1
47	18-105	Right Shaft Bracket	1
48	18-107-02	Clevis Pin Special	2
49	18-107	Turnbuckle (Front)	1
	18-107A	Turnbuckle (OBS)	
50	37-16JN	Jam Nut	1
51	5133-31	Keeper	2
52	18-129	Snow Deflector	1
53	18-108	Turnbuckle Shaft	1
54	18-109	Turnbuckle (Rear)	1
55	43-14ESNA	Nut	1
56	18-112A	Pivot Stud	1
57	43-14JN	Jam Nut	1
58	31-2508SB	Shoulder Bolt	1
59	18-111	Link-Adjusting	1
60	37-37CW	Washer	1
61	37-16ESNA	Nut	1
62	25-20ESNA	Nut	1
63	25-2012SS	Set Screw	2
65	37-16ESNA	Nut	1
67	18-110	Linkage Lever	1
68	25-2012HX	MT Screw	2
69	25-25IL	Lock Washer	2
70	18-126A	Adjusting Crank 7/16"	1
71	18-103	Eye Bolt (Pull Cord)	1

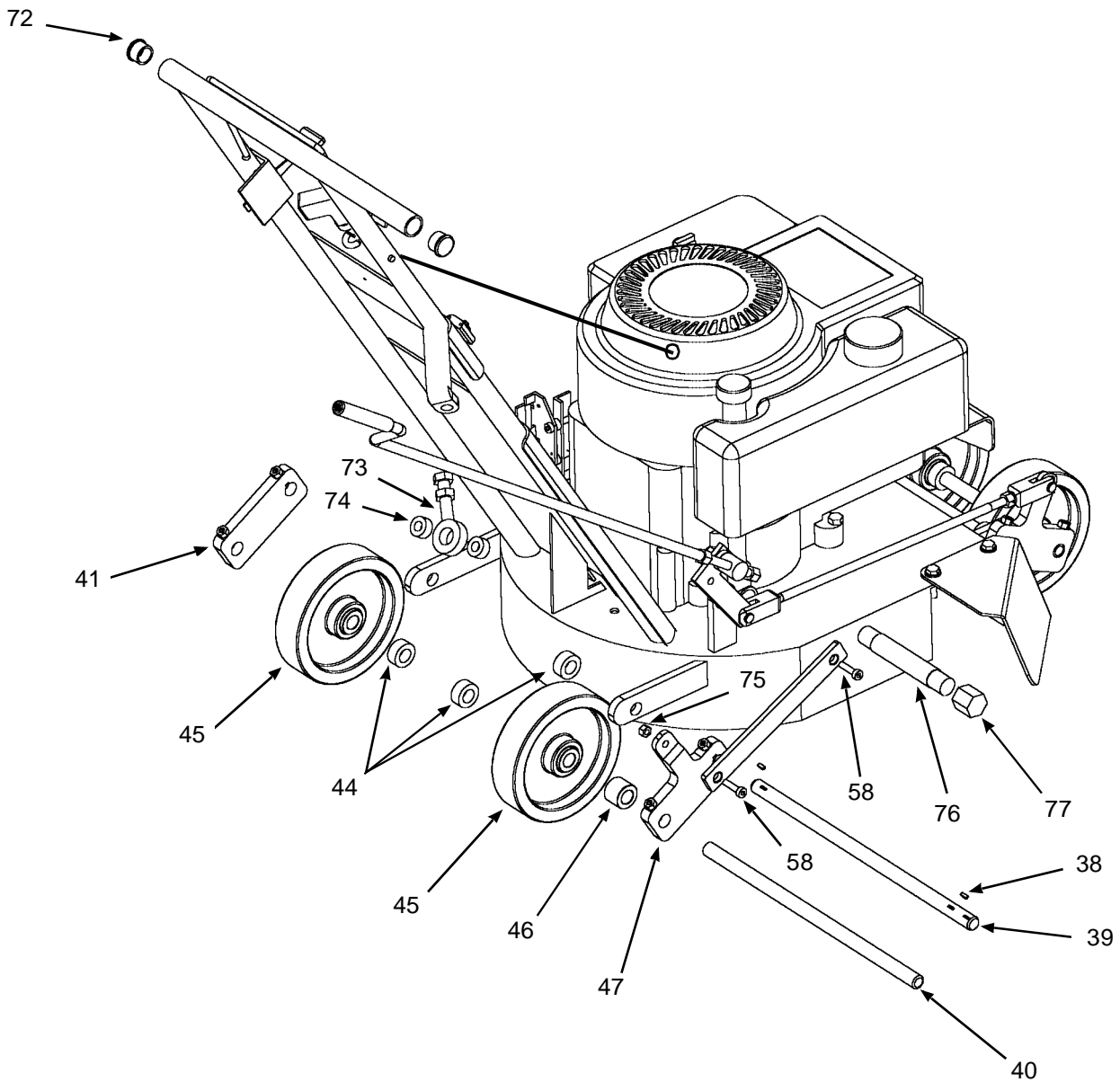
Thomsen Ice Edger Front Axles and Crank Assemblies



Use only genuine **Thomsen** replacement parts

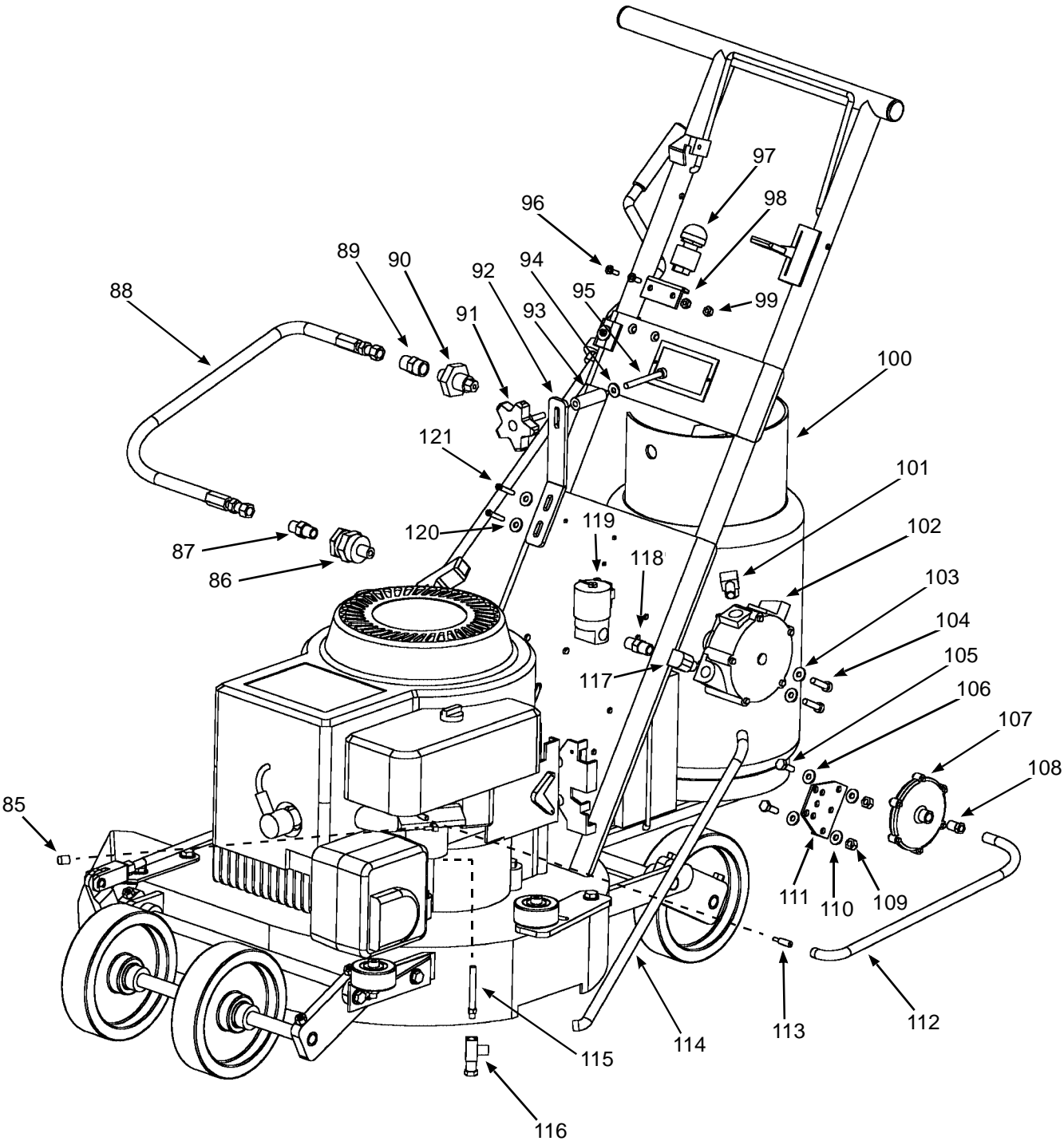
Item No.	Part No.	Description	No. Req'd
38	7-384	Woodruff Key	2
39	18-102	Front and Rear Pivot Shaft.....	1
40	18-106	Wheel Shaft (Front & Rear).....	1
41	18-104	Left Shaft Bracket	1
44	18-180	Set Collar	3
45	18-113	Wheel	2
46	18-119	Wheel Spacer	1
47	18-105	Right Shaft Bracket.....	1
58	31-2508SB	Shoulder Bolt	2
72	18-130A	Handle End Plug	2
73	18-165A	Rod End Bearing Assembly.....	1
74	18-127A	Set Collar	2
75	25-20ESNA	Nut	1
76	18-131	Oil Drain Tube	1
77	18-132	Oil Drain Cap.....	1

Thomsen Ice Edger Rear Axles Assembly



Item No.	Part No.	Description	No. Req'd
85	18-505	Gas Line Cap	1
86	18-152	LP Gas Filter.....	1
87	18-510	Hose Adaptor	1
88	18-150	Hose Inlet	1
89	18-515	Hose Adaptor	1
90	18-155	Quick Connect Fitting.....	1
91	18-147	Quick Release Knob	1
92	18-149	Tank Bracket (Top)	1
93	18-149-01	Tank Spacer.....	1
94	25-25CW	Washer.....	1
95	25-2008BH	Button Hd. Screw.....	1
96	10-3202FH	Flat Hd. Screw	2
97	18-174	Push Button Starter Switch.....	1
98	18-177	Push Button Mount Plate	1
99	10-32ESNA	Nut	2
100	18-146	LP Tank (2.5 Gal.)	1
101	18-153	90 Degree Outlet Fitting	1
102	18-156	Regulator.....	1
103	25-25IL	Lock Washer	2
104	25-2008BH	Button Hd. Screw.....	2
105	25-2008HX	Hex Screw	2
106	25-25CW	Washer.....	2
107	18-179A	Vacuum Swtich	1
108	18-520	Vacuum Hose Fitting	1
109	25-20ESNA	Nut	2
110	25-25CW	Washer.....	2
111	18-179C	Vacuum Switch Mount Bracket.....	1
112	18-160	Vacuum Hose	1
113	18-525	Vacuum Hose/ Idle Fitting	1
114	18-151	Hose Outlet	1
115	18-530	LP Spud.....	1
116	18-535	LP Power Adjust Screw	1
117	18-540	90 Degree Inlet Fitting.....	1
118	18-545	Lockoff/ Regulator Adaptor.....	1
119	18-179B	Fuel Lockoff Solenoid	1
120	25-25CW	Washer.....	2
121	10-2408BH	Button Hd. Screw.....	2

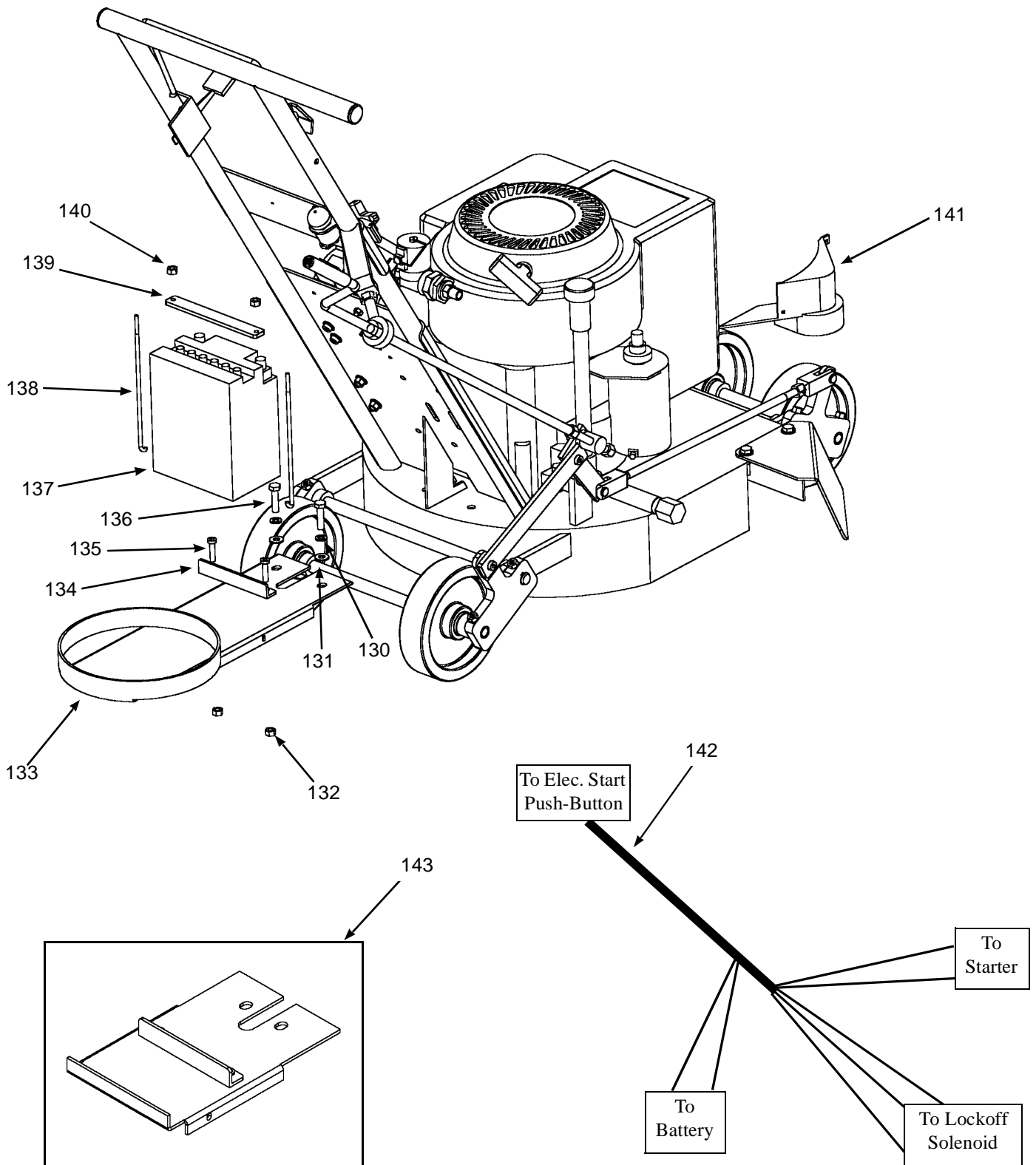
Thomsen Ice Edger LP Assembly



Use only genuine **Thomsen** replacement parts

Item No.	Part No.	Description	No. Req'd
130	31-31IL	Lock-Washer	2
131	31-31CW	Washer.....	2
132	10-32ESNA	Nut	2
133	18-148	Tank Tray	1
134	18-148-01	Battery Holder.....	1
135	10-3202FH	Flat Hd. Screw	2
136	31-1810	Bolt.....	2
137	18-550	12 Volt Battery	1
138	18-148-02	Battery Tie Down Rod	2
139	18-148-03	Battery Hold Down Strap	1
140	10-24ESNA	Nut	2
141	18-170-01	Electric Starter Cover.....	1
142	18-555	PRO-18ES Electric Start Wiring Harness.....	1
	18-560	T-18ES Electric Start Wiring Harness	1
143	18-175	Battery Tray (Gas Option)	1

Thomsen Ice Edger Electric Start Assembly

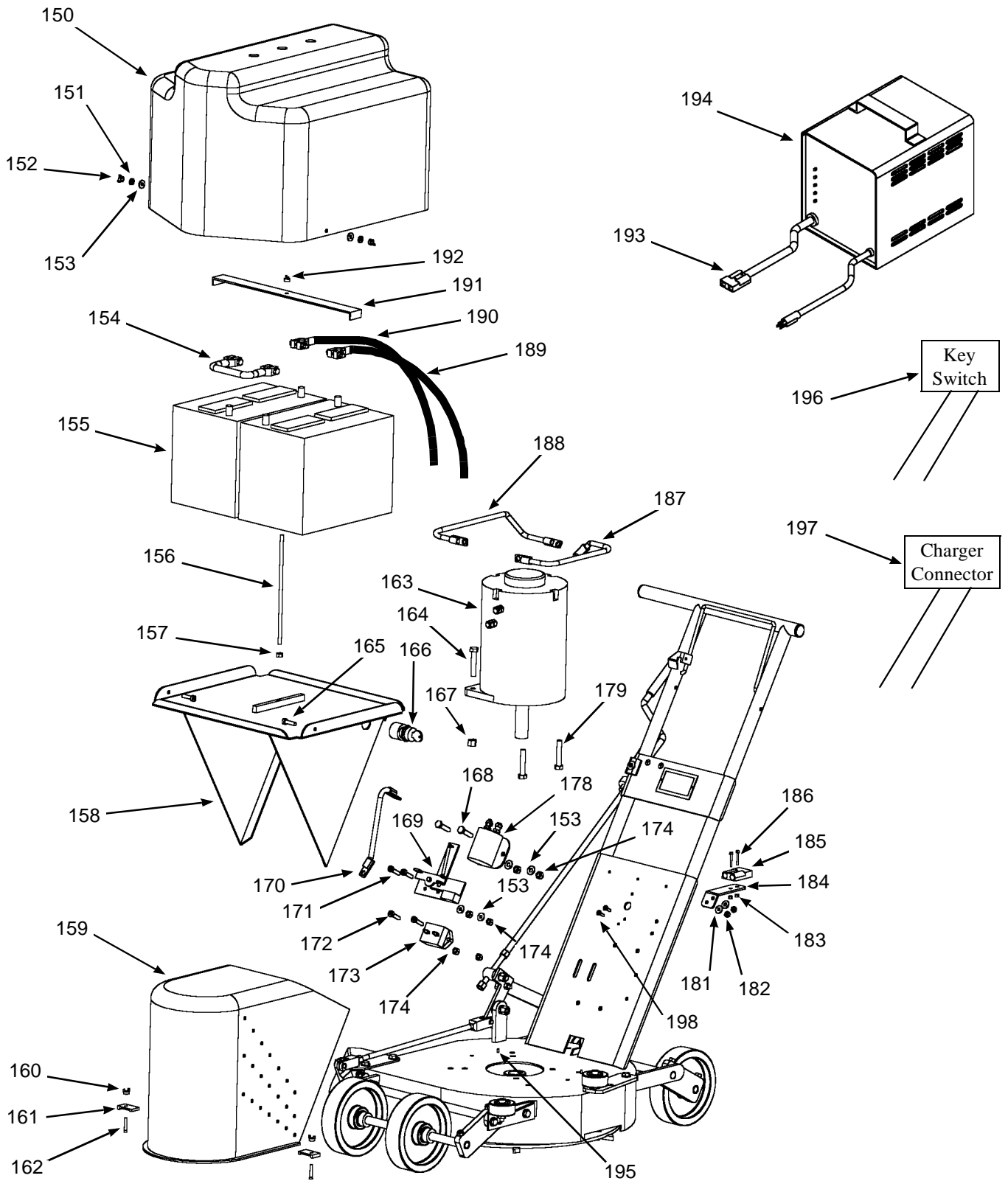


Use only genuine **Thomsen** replacement parts

Item No.	Part No.	Description	No. Req'd
150	29-115	Fiberglass Battery Cover.....	1
151	25-25IL	Lock Washer	2
152	25-20WN	Wing Nut.....	2
153	25-25CW	Flat Washer	6
154	29-106-01	Battery Jumper Wire	1
155	29-130	12V Battery.....	2
156	29-112	Battery Tiedown Rod	1
157	25-20FN	Flange Nut.....	1
158	29-101	Battery Tray	1
159	29-114	Fiberglass Motor Cover	1
160	10-24WN	Wing Nut.....	1
161	29-117	Motor Cover Clamp	2
162	10-2414SH	Cap Screw	2
163	29-100	Elec. Motor	1
164	37-1624HX	Hex Screw	2
165	25-2087BH	Button Hd. Screw.....	2
166	25-105	Key Switch.....	1
167	37-16ESNA	Nut	2
168	25-2012HX	Hex Screw	2
169	18-166	Ignition Shutdown Mechanism.....	1
170	29-106-03	Jumper Wire.....	1
171	25-2087BH	Button Hd. Screw.....	2
172	25-2012HX	Hex Screw	2
173	29-118	Breaker.....	1
174	25-20ESNA	Nut	6
178	29-103	Solenoid	1
179	31-2412HX	Hex Screw	2
181	10-10CW	Flat Washer	2
182	10-24ESNA	Nut	2
183	06-32ESNA	Nut	2
184	29-113	Connector Bracket -Rec.....	1
185	29-111	Charger Quick Connector	1
186	06-3214SH	Cap Screw	2
187	29-106-04	Jumper Wire.....	1
188	29-106-02	8" Jumper Wire	1
	29-106-02A	4" Jumper Wire	1
189	29-106-05	Battery Cable	1
190	29-106-06	Battery Cable	1
191	29-102	Battery Strap	1
192	25-20WN	Wing Nut.....	1
193	29-111	Charger Quick Connector	1
194	29-110	Charger.....	1
195	12-50RP	Roll Pin	2
196	29-108	Micro Wires	2
197	29-109	Charger Wires	2
198	10-2414SH	Cap Screw	2

Use only genuine **Thomsen** replacement parts

Thomsen Ice Edger Elec. Assembly



Use only genuine **Thomsen** replacement parts

Item No.	Part No.	Description	No. Req'd
205	31-24ESNA	Nut	6
206	18-115	Hub.....	1
207	43-43IL	Lock Washer	1
208	25-2808HT	Hex Screw	12
209	25-25IL	Lock Washer	12
210	90-151	Cutter Blade	6
211	31-2420SF	SH Screw	4
212	29-119	Cutter Disc	1
213	43-2020HX	Hex Screw	1
214	31-2416SC	Socket Hd. Cap Screw	2
215	19-121	Hub Spacer.....	2
216	25-2808SS	Set Screw	2
217	25-28JN	Nut	2
218	18-116	Key.....	1

Thomsen Ice Edger Elec. Cutter Disc Assembly

